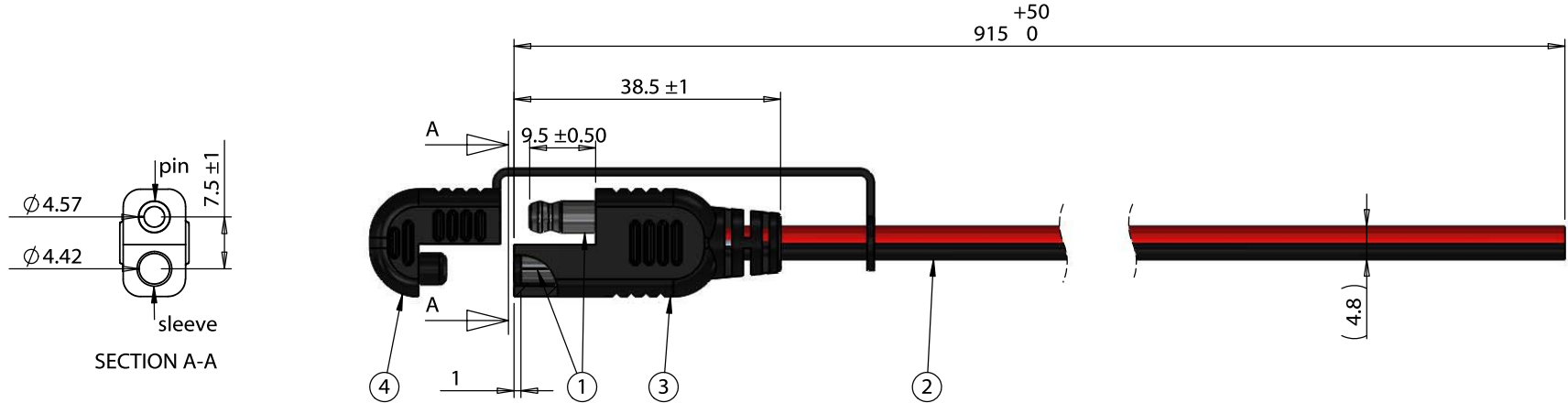


ITEM NO.	PART NUMBER	DESCRIPTION	QTY.	COMPONENT NOTES
1	50-00550	Connector, 4.75x10.2mm SAE, brass nickel plated, molding type	1	
2	30-00792	Wire, 2C TS, 16 AWG, UL2651, 300V, 105C, 4.8 mm, VW-1, PVC, red and black	1	
3	24-00176	Overmold, SAE connector, PVC, black	1	black, 105 °C
4	55-00059	Dust cap, SAE connector, overmold fit	1	black, 105 °C



Notes:
Functionally equivalent components may be substituted

Wiring Diagram	
50-00550	wire color
pin	red (+)
sleeve	black (-)

Revision:	Date:	Description:	Prepared:	Notes: RoHS compliant Function test: no open, no short circuit, no intermittent	TENSILITY <small>tel 1.541.323.3228 800 877.670.7118 fax 1.541.323.4202 web tensility.com</small>
A	1/16/2017	Initial release	PS <small>Digitally signed by PS Date: 2017.08.11 13:56:22 -07'00'</small>		
			Verified: GL <small>Digitally signed by GL Date: 2017.08.11 14:09:45 -07'00'</small>		
			Dimensions are in millimeters. Tolerances: X: ± 0.5 mm X.X: ± 0.3 mm X.XX: ± 0.05 mm		
			Description: Cable, 915 mm, 50-00550 SAE to blunt cut, 16 AWG, UL2651, 30-00792, R-B wire, red to SAE pin		
			Size: A	Part number: 10-02406	
			Scale: 1:1		Sheet 1 of 1